



Quick Start Tap2 Installation

BERG COMPANY, LLC

P.O. Box 7065
Madison WI 53707-7065
Phone: 608-221-4281
Fax: 608-221-1416
www.berg-controls.com

Table of Contents

Tap2 and Dispenser Network (DN) Checklist – page 2

Install Tap2s – pages 3-8

Train Bartenders and Manager

8 Bartender functions – pages 8-10

3 Manager functions – pages 10-12

Appendix

- **Disassemble Tap – page 13**
- **Tap Mounting: Old vs. New – page 13**
- **Tap2 Mounting Guidelines – paged 14-15**
- **P3 Hub Startup Functions – page 15**
- **P3 Hub Settable Functions – page 16**
- **P3 Hub LED Functions – page 16**
- **Flow Meter Wiring with J-Boxes – page 17**
- **Flow Meter Low Cost Wiring Option – page 18**
- **Pour Counts Reports – Page 18-19**

Item	Part No	Tap2 and DN Checklist	Comments
1	8003403	TAP2 DISPENSER w/8" cable – 12V	24 Max per DN
2	8003468	Dispenser Network (DN) Power Supply – 12V	One per /DN
3	8003470	DN POWER SUPPLY EURO REV A	One per DN
4	8003450	P3 Hub w/25' cable – 12V	Min one per DN + one per additional POS Terminal
5	8003412	PC CONVERTER, DN w/25' cable – 12V	One per dealer for setup and trouble-shooting,
6	8003365	INFINITY DN ECU (WITH ENCLOSURE) w/25' cable	One needed for each DN connected to Infinity
7	8003425	INFINITY DN ECU PCB ASSY w/25' cable	One needed for each DN connected to Infinity Mounts in open slot in Infinity ECU housing
8	8003404	8" CABLE, DN – 12V	One included with each Tap
9	8003405	25' CABLE, DN – 12V	One included with each P3 Hub & DN ECU Contact Berg for Special Cable lengths.
10	8003302	10' FLOWMETER PIGTAIL	One per flow meter
11	8003266	CABLE COUPLER	Joins two 8" or two 25' cables together
12	8003303	BEER SHANK EXTENSION, US	One per Tap as needed to lengthen beer shank connection
13	8003304	BEER SHANK ADAPTER, EUROPE	One per tap to adapt to existing metric beer shanks
14	8004672	FLOW METER	For accurate dispensing when beer gas pressure changes
15	8004673	FLOW METER J-BOX	Need 2 per group of 8 flow meters – one under the bar, one at the cooler
16	8004496	LUBRICANT, NSF, HVY DUTY, 1 OZ	tap maintenance – lubricate the handle joint
17	8007972	CABLE 10-COND 22 AWG PVC 80C	Installs between Flow Meter J-Box in Bar and Cooler
18	8009092	UNIVERSAL POS INTF CABLE KIT 25'	Connects P3 Hub to PC or POS Terminal (RS232)
19	8009096	UNIV POS INTF CABLE KIT 50'	As Required
20	8007806	CONNECTOR BUTT SPLICE 3-POS	optional
21	8005740	PKG SERIAL AUTO SW 2 ECUs TO 1 POS	As Required
22	8006887	CONVERTER, USB TO RS-232, DB-9M	As Required
23	8003363	CLEANING KIT W/BEER NUT, GASKET & 5/16" TAILPIECE	Min. one/system
24	8003362	CLEANING ADAPTER	Min. one/system
25	8003370	GUINNESS (STOUT) NOZZLE FOR TAP2	As Required

Install Tap2s

To Install Tap2s – No POS Station (Stand Alone – non-Infinity) follow these 3 Steps

1. Connect: Power Supply & Tap2s to P3 Hub (see diagram on page 3)
2. Use Berg Terminal 3 - Set Address for Taps and P3 Hub (see page 4)
3. Set P3 Hub in Service Mode - Adjust Taps for Pouring (see page 4)
 - a. Drip Adjust (see page 5)
 - b. Set Portion Sizes (see page 5)
 - c. Set P3 Hub to POS Bypass (see page 4)

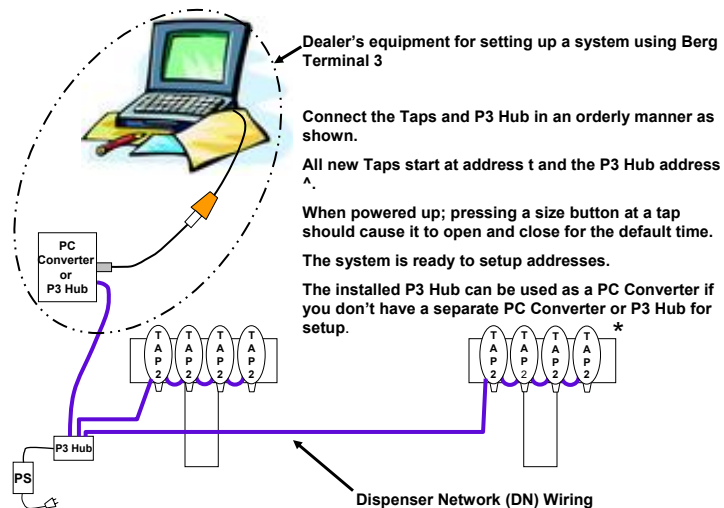
To Install Tap2s – With POS Station (Stand Alone – non-Infinity) (see diagram on page 6) follow these 4 steps

1. Repeat steps 1-3 Above
2. Use Berg Terminal 3
 - a. Enter PLU numbers (see page 6)
 - b. Setup P3 Hub for POS Terminal (see page 7)
3. Verify POS Function of the P3 Hub Using POS Test (see page 7)

To Install Tap2s – to Operate with Infinity Software follow these 3 steps and Reference the Infinity 6 Manual

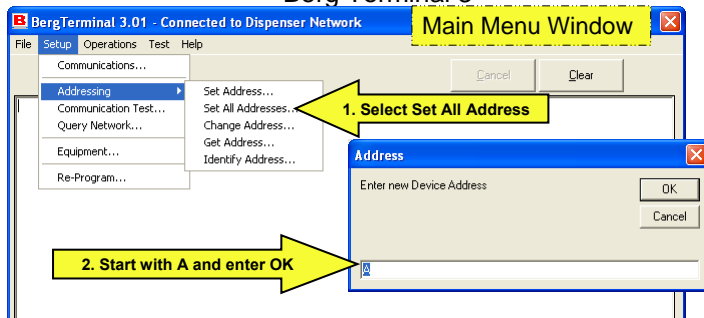
1. Connect: Power Supply & Tap2s to P3 Hub (see page 8)
2. Use Infinity 6 – To set Address for Taps and P3 Hub
3. Set P3 Hub in Service Mode - Adjust Taps for Drip Adjust (see page 4)
4. Refer to the Infinity 6 Manual for the remaining setup steps

Tap2 Dispensing System Diagram (No POS, Stand Alone–non-Infinity)



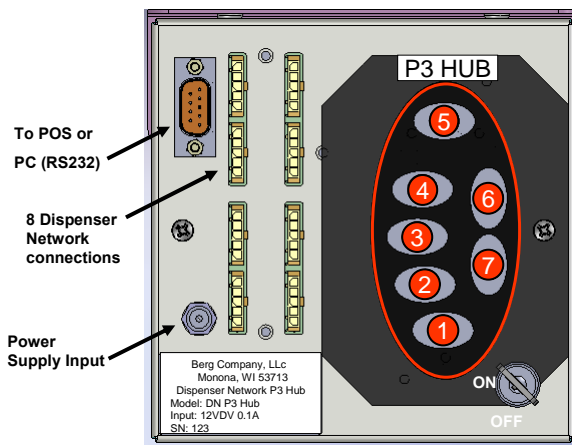
* See Appendix for mounting details and options.

Using a Laptop PC set up Addresses for Taps & P3 Hub Using Berg Terminal 3



3. The * and Cancel buttons flash rapidly on the Taps; the #5 and #7 button flash rapidly at the P3 Hub.
4. Press the #5 button on the P3 Hub to assign it Address A. The two LEDs will turn off briefly then resume their rapid flashing.
5. Continue setting addresses by pressing the * button at the first tap in your sequence. It will be assigned Address B. The tap's buttons will stop flashing briefly then resume flashing ready to set the next address. Repeat the Address setting process until all of the taps have been addressed.
6. When done setting addresses press the Cancel button at Berg Terminal to exit this mode. The Taps will revert to all LEDs ON and Button #3 on the P3 Hub will flash at a standard rate (1/sec) unless the Hub is in the PC Converter mode (button #1 flashes 1/sec).
7. From the Setup menu select Query Network to view the Address setting Results. There should be an Address for each P3 Hub and Tap in the DN.



P3 Hub Connections







Hub Switch Functions & LED Status

- OFF = Disable Taps
LEDs 5,6 & 7 On
- ON = Pour With Release
LED 3 flashes Standard (1/sec)
- 1 + ON = PC Converter Mode
LED 1 flashes Standard (1/sec)
- 2 + ON = POS Bypass
LED 2 flashes Rapid (2/sec)
- 4 + ON = Print Pour Counts Report
LED 4 flashes Standard (1/sec)
- 7 + ON = Service Mode
LED 7 flashes 1/sec
- Enables: • Learn Portion
• Drip Adjust
• Clean Mode
- Reset Hub = Press and hold #5 & #7 for 3 seconds. All LEDs will turn off and then come back on one at a time.

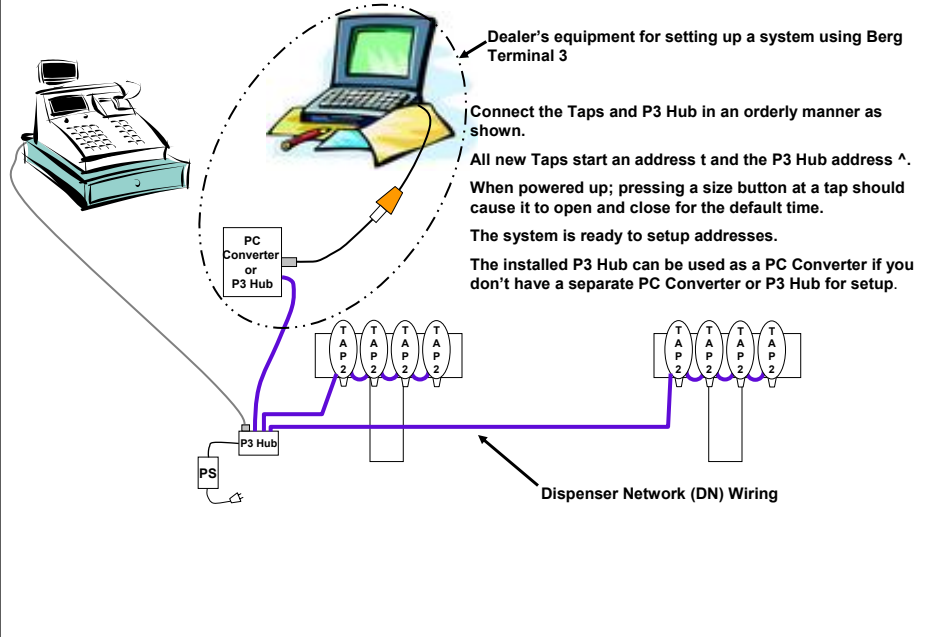
To Make tap Adjustments for Pouring Set P3 Hub into Service Mode & Tap2 into Drip Adjust Mode

- Set P3 Hub to Service Mode: Hold button #7 + turn switch ON
 - LED 7 flashes 1/sec
- At each Tap2 to enter Drip Adjust Mode:
 1. press  (Cancel) then  (Mug) twice within 2 seconds. (Buttons #1 and #4 will flash 1/sec)
 2. If the tap is dripping press the #1 button until dripping stops then press once more.
 3. Exit the test by pressing the Cancel button and pour a small portion to make sure the tap shuts off.
 4. If the tap does not drip this is the end of the drip adjust.
 5. If the tap continues to drip re-enter the drip adjust mode and repeat steps 2 and 3.
 6. If the tap is not dripping press the #4 button until it starts dripping then press button #1 once to stop the dripping. (This reduces wear on the valve shaft o-ring.)
 7. Exit the test and pour a small portion to make sure the tap shuts off.
 8. If the tap continues to drip re-enter the drip adjust mode and repeat steps 2 and 3.
- Each press of the #1 button will close the Tap one step, and each press of the #4 button will open the Tap one step.

To Make tap Adjustments for Pouring Set P3 Hub into Service Mode & Tap2 into Learn Portion Mode (Calibrate)

- Set P3 Hub to Service Mode: Hold button #7 + turn switch ON
 - LED 7 flashes 1/sec
- At each Tap2 to enter Learn Portion Mode:
 1. press  (Cancel) button then button **3 twice** within 2 seconds. (Buttons #1 thru #4 will flash 1/sec)
 2. To set a portion press and hold the desired #1-4 button 'till the correct volume has been dispensed. The portion time is saved as you release the button.
 3. This can be repeated on any button any number of times until correct volume has been achieved.
 4. Normally button #4 is 'Add-A-Head' and is set to about 1 oz.
 5. The Default number of Add-A-Heads is 3
 6. To set Alternate size portions press the  key to enter Alt. size mode and repeat steps 2-4.
 7. Press the  key again to exit the Alt Size Mode.
 8. Press  (Cancel) after pour sizes are correct to exit Learn Portion Mode; the new portions are saved.

Connections For Stand Alone Tap2 Beer System w/POS...



Read The Current Tap Settings Then Enter PLU Numbers

1. Select Receive to retrieve the default settings and pour times from the first tap. If settings don't match those shown you may want to re-enter them.
2. Change the default PLU numbers by entering the PLUs for each of the sizes you will be using.
3. For Size 4 and 8 leave the PLU at 0 for Add-a-head so they don't ring up at the POS.
4. Select the Send button to send the new PLU data to the Tap.
5. Select Receive to retrieve the default settings and pour times from the next tap and repeat steps 2 & 3 until all of the taps have their PLU numbers entered.

Setup Equipment

Repeat Delay, POS Timeout have two decimal places.
Current settings for Tap2 t

Tap	View and Change Pour	Size	PLU
	<input type="checkbox"/>	1	0
	<input type="checkbox"/>	2	0
	<input type="checkbox"/>	3	0
	<input type="checkbox"/>	4	0
	<input type="checkbox"/>	5	0
	<input type="checkbox"/>	6	0
	<input type="checkbox"/>	7	0
	<input type="checkbox"/>	8	0

POS Permission: Wait For Release | Cancel Lockout %: 75

POS Timeout: 3.50 | Backup Timer %: 20

Repeat Delay: 1.50 | End of Keg: None

LED Brightness: 5 | Enable Alternate Sizes

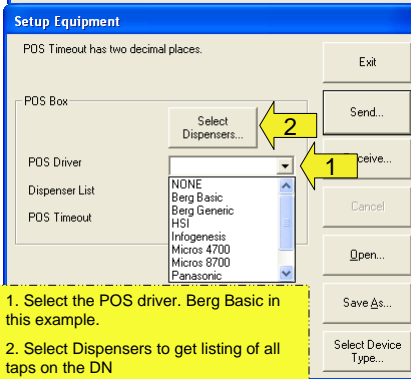
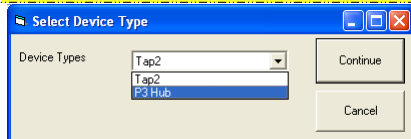
Add-A-Head Size: 4 | Alternate Size Reset

Add-A-Head Limit: 3 | Flow Meter

Buttons: Exit, Send..., Receive..., Cancel, Open..., Save As..., Select Device Type...

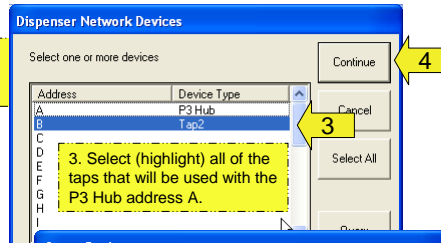
Setup P3 Hub for POS

At the Berg Terminal 3 Main menu select **SETUP** and from the drop down menu select **Equipment**. A selection box will appear; select **P3 Hub**. The setup equipment screen appears below.

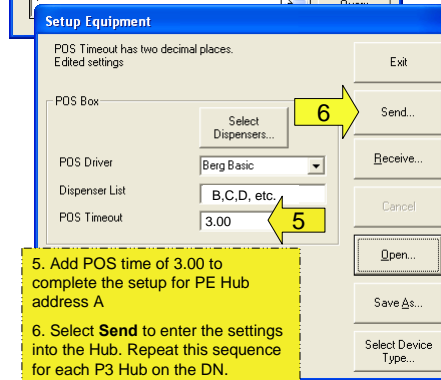


1. Select the POS driver. Berg Basic in this example.

2. Select Dispensers to get listing of all taps on the DN



3. Select (highlight) all of the taps that will be used with the P3 Hub address A.

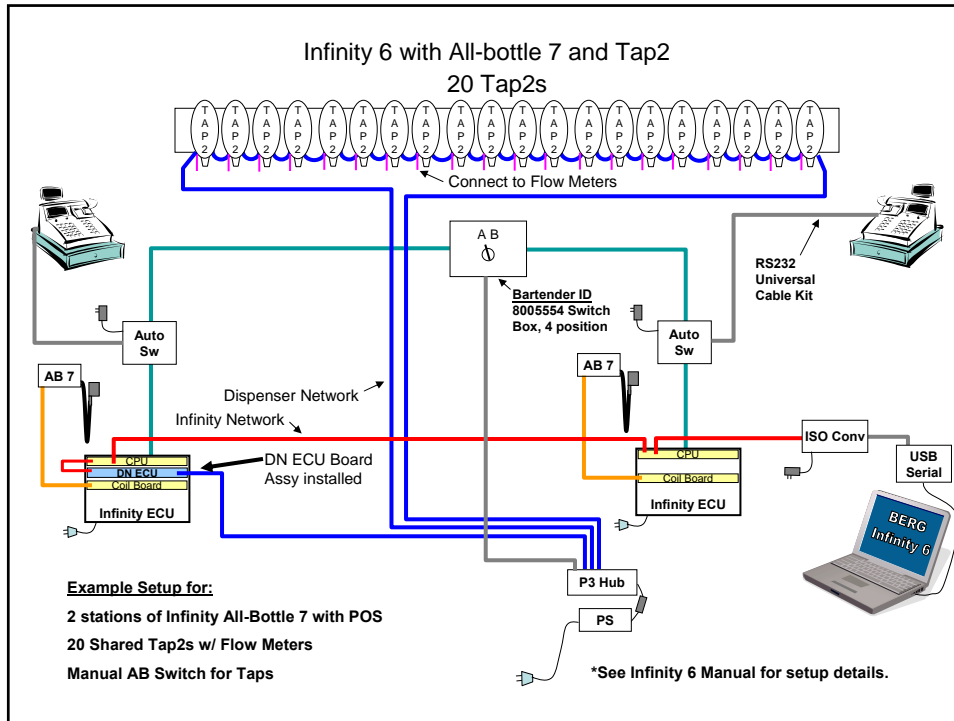


5. Add POS time of 3.00 to complete the setup for PE Hub address A

6. Select **Send** to enter the settings into the Hub. Repeat this sequence for each P3 Hub on the DN.

Verify POS Function of the P3 Hub Using POS Test

- Connect the P3 Hub to your Laptop PC
- Run POS Test program with the same POS Driver you selected for the P3 Hub
 1. Set POS Test with blind ACK
 2. Set P3 Hub switch to ON – it defaults to Pour With Release
- Press button #1 on a Tap – it should pour – verifying the Taps PLU was sent through the P3 Hub and Acknowledged.
- Unplug P3 Hub from the PC and then press #1 on a Tap – it should not pour – verifying the Tap is waiting for release.
- Change the P3 Hub to Pour Without Release: Hold button #2 and turn the switch from Off to On. LED 2 on the P3 Hub flashes Rapidly (2/sec)
- Press button #1 on a Tap – it should pour – verifying the POS has been bypassed enabling the Taps to “pour without release”.
- Finally connect P3 Hub to POS system and verify Taps pour and ring up.



8 Basic Functions for Bartenders

1. Select drink sizes
2. Alternate Size Pour
3. Pause Pour
4. Add-A-Head
5. Repeat Pour
6. Cancel
7. Emergency Shut-off
8. Manual Pouring



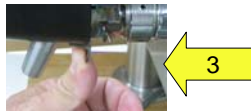
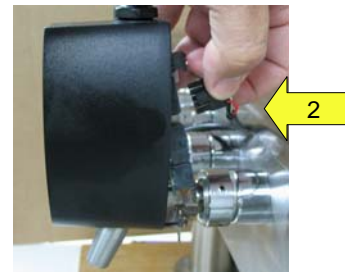
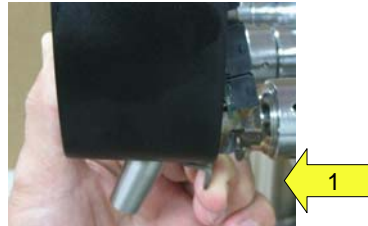
8 Basic Functions for Bartenders

1. **Select Drink Size** – **Press** any **1** of the four **numbered buttons** to dispense the appropriate size portion.
2. **Alternate Size Pour** – To dispense any one of the four alternate sizes **first** press the star button (it will flash). **Second** press any 1 of the four numbered buttons to dispense the appropriate alternate size portion. **Third** press star to return to standard sizes and stop flashing. The Alt Size will automatically switch back to standard sizes if the taps are set for **Alt Size Reset** with Berg Terminal.
3. **Pause Pour** – **Pressing the same button a second time** while a pour is in process will cause the pour to pause. Restart the pour by pressing that button again. A pour **cannot be cancelled** while it is paused.
4. **Add-A-Head** – **After a portion** has been poured **press button 4** to add about one ounce to the poured portion. This can be done up to three times for a portion dispensed.
5. **Repeat Pour** – To pour multiple drinks of the same size **first** press the double mug button to enable this mode. **Second**, press any 1 of the four numbered buttons to dispense the appropriate size portion. **Third**, as the last pour you want is being dispensed press the double mug button to end the mode when the pour is finished. The **time delay between portions** (default set to 1.00 seconds) can be changed using Berg Terminal.
6. **Cancel** – Pressing the cancel button while a pour is in process will end that portion immediately. Cancel should only be used when you select the wrong size glass for the portion selected. If your beer delivery system occasionally causes some portions to be foamy calibrate the portions to pour one or two ounces short and finish each portion with add-a-head until the system can be fixed. The time during a pour that a Cancel can be done is adjustable (This function is called **Cancel Lockout**). The default is set to 75% meaning Cancel will not work after the portion passes 75% done. A setting of 100% will allow cancel to be done for the entire portion. A 0% setting disables cancel for the entire portion.
7. **Emergency Shut-off Procedure When Tap Flow Doesn't Stop** (see page 9)
8. **Manual Pouring** (see page 9)

Eight Basic Functions for Bartenders

#7. Emergency Shut-off Procedure When Tap Flow Doesn't Stop

1. If you lose power while the Tap is pouring pull lever forward to shut-off Tap.
 - **Push lever back into a ready position**
 - **If the lever doesn't move ...**
 - **Unlock and remove back cover**
2. **Unplug power at the tap or P3 Hub**
 - **Pull lever forward to shut-off Tap:**
3. **Push lever back into the ready position**

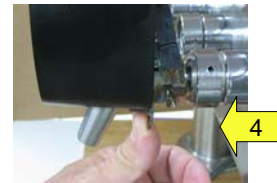
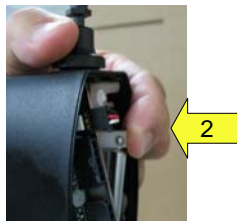
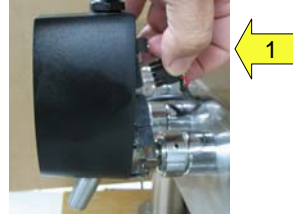


Eight Basic Functions for Bartenders

#8. Manual Pouring

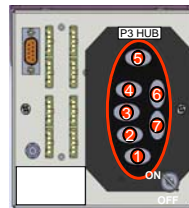
Need Key to Unlock and remove back cover

1. Unplug power
2. Push Tap handle forward to get beer to flow
3. Pull lever forward to shut-off Tap:
4. Push lever back into the ready position



Manager- Service Functions For Tap2s

Step 1: Set the P3 Hub to Service Mode



7 + ON = Service Mode
LED 7 flashes 1/sec
Enables:

- Learn Portion
- Drip Adjust
- Clean Mode

Step 2: Follow Switch pressing order at the tap to enter a Mode



SERVICE MODE FUNCTIONS

Learn Portion
(calibration)



Do Not use with Infinity,
use Infinity calibration

Drip Adjust







Close
Open



Clean Mode



Learn Portion Mode (Calibrate)

1. Set P3 Hub to Service Mode: Hold button #7 and turn the switch ON
 - LED 7 flashes 1/sec
2. At a Tap2 Dispenser to enter Learn Portion Mode press  (Cancel) button then button **3 twice** within 2 seconds. (Buttons #1 - #4 will flash 1/sec)
3. To set a portion press and hold the desired #1-4 button 'till the correct volume has been dispensed. The portion time is saved as you release the button.
4. This can be repeated on any button any number of times until correct volume has been achieved.
5. Normally button #4 is 'Add-A-Head' and is set to about 1 oz.
6. The Default number of Add-A-Heads is 3
7. To set Alternate size portions press the  key to enter Alt. size mode and repeat steps 2-4.
8. Press the  key again to exit the Alt Size Mode.
9. Press  (Cancel) after pour sizes are correct to exit Portion Adjust Mode; the new portions are saved.
10. Exit the Service Mode at the P3 Hub
 - Without POS set the system to Pour w/o Release by holding button #2 and turning the switch OFF & ON. LED 2 flashes Rapidly (2/sec) indicating this mode is set.
 - When using a POS terminal set the System to Pour With Release by turning the switch OFF and ON. LED 3 flashes once/second indicating this mode is set.

Drip Adjust

- Set P3 Hub to Service Mode: Hold button #7 and turn the switch ON
 - LED 7 flashes 1/sec
- At each Tap2 to enter Drip Adjust Mode (Buttons #1 and #4 will flash 1/sec):
 1. press  (Cancel) then  (Mug) twice within 2 seconds.
 2. If the tap is dripping press the #1 button until dripping stops then press once more.
 3. Exit the test by pressing the Cancel button and pour a small portion to make sure the tap shuts off.
 4. If the tap does not drip this is the end of the drip adjust.
 5. If the tap continues to drip re-enter the drip adjust mode and repeat steps 2 and 3.
 6. If the tap is not dripping press the #4 button until it starts dripping then press button #1 once to stop the dripping.
 7. Exit the test and pour a small portion to make sure the tap shuts off.
 8. If the tap continues to drip re-enter the drip adjust mode and repeat steps 2 and 3.
- Each press of the #1 button will close the Tap one step, and each press of the #4 button will open the Tap one step.
- Exit the Service Mode at the P3 Hub
 - Without POS set the system to Pour w/o Release by holding button #2 and turning the switch OFF & ON. LED 2 flashes Rapidly (2/sec) indicating this mode is set.
 - When using a POS terminal set the System to Pour With Release by turning the switch OFF and ON. LED 3 flashes once/second indicating this mode is set.

System Cleaning & Sanitation Requirements

Sanitizing System at Start-Up

1. Prepare sanitizing solution. (Use a chlorine based cleaner such as Divorsol (pink cleaner). This will sanitize and clean your equipment by removing any film that may be present. Divorsol also rinses easily compared to other detergents.
2. Connect a cleaning adapter to the Tap and connect it to your cleaning system.
3. Place the switch on the Power Supply in the Service Mode. Place the tap into the Clean Mode (this mode keeps the faucet open until one of the buttons is pressed; closing the tap.)
4. Run about 25 ounces (750 ml) of solution through each tap.
5. Rinse thoroughly with clear water by placing the tap into the Clean Mode to open the faucet; press any button to close it when you are done rinsing



Regular System Cleaning

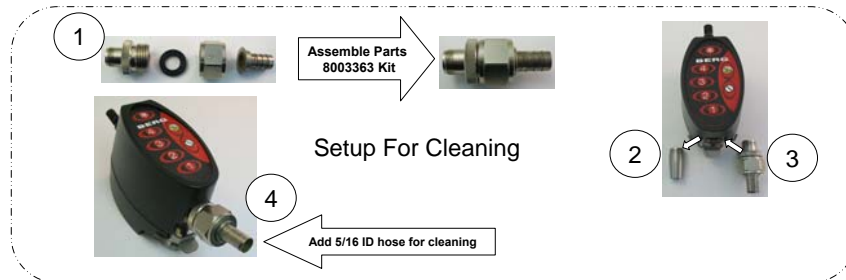
- Must be done in accordance with local codes for food and beverage dispensing equipment.
- The exterior of the Tap should be cleaned as needed using a mild detergent.

Maintenance

- Should the faucet handle become stiff and hard to move it will be necessary to disassemble it, replace the o-rings and re-lubricate the ball on the handle with a sanitary grease.
- If the faucet drips beer after extended use and the drip adjustment procedure does not stop it, the o-ring on the end of the shaft may need to be replaced. While you have the faucet disassembled it is a good practice to inspect all of the o-rings, replace worn o-rings and re-lubricate the ball on the handle with a sanitary grease.
- It is essential that the entire liquid system be cleaned and sanitized after extended shutdown periods by a qualified technician.

Tap Cleaning

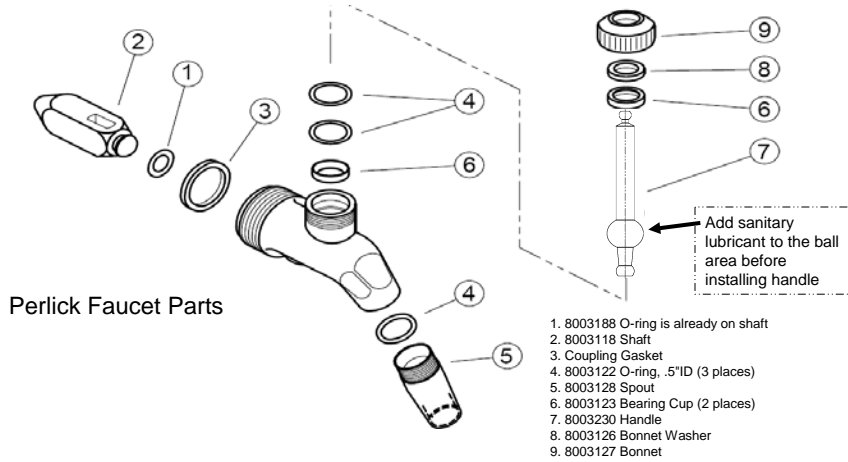
1. Set P3 Hub to Service Mode: Hold button #7 and turn the switch ON
 - LED 7 flashes 1/sec
2. Attach a cleaning hose to the beer faucet outlet as shown.
3. Begin cleaning by pressing  (cancel) then  twice within 2 seconds causing the Tap to open.
4. All buttons on the Tap will flash while it remains open.
5. To **stop cleaning** pressing any button on the tap; the tap will close and the LEDs will stop flashing.
6. Exit the Service Mode at the P3 Hub
 - Without POS set the system to Pour w/o Release by holding button #2 and turning the switch OFF & ON. LED 2 flashes Rapidly (2/sec) indicating this mode is set.
 - When using a POS terminal set the System to Pour With Release by turning the switch OFF and ON. LED 3 flashes once/second indicating this mode is set.



Appendix
Disassemble Tap

Sequence to disassemble the tap

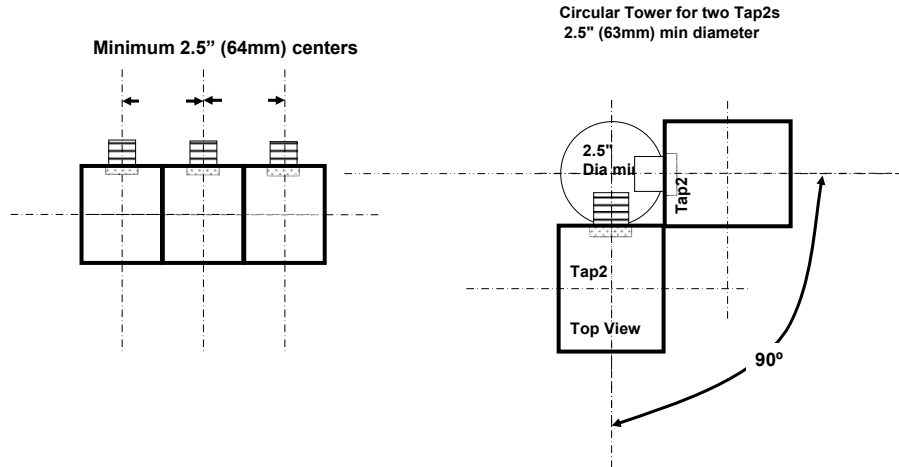
- Unlock and remove back
- Disconnect link to handle
- Remove bonnet nut from the Tap
- Lift out the handle
- Shake out the shaft
- Clean the parts
- Replace worn o-rings
- Re-lube the handle pivot ball using 8004496 Lube
- Reassemble the Tap



Appendix – Tap Mounting: Old vs. New

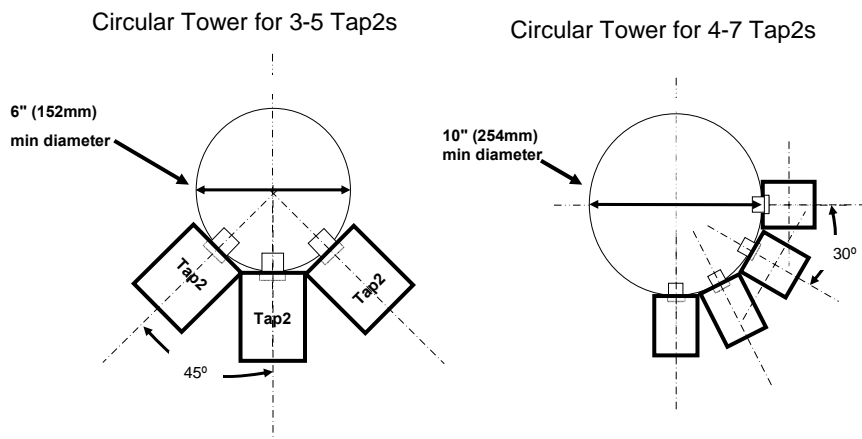


Tap2 Mounting Guidelines



Tap2

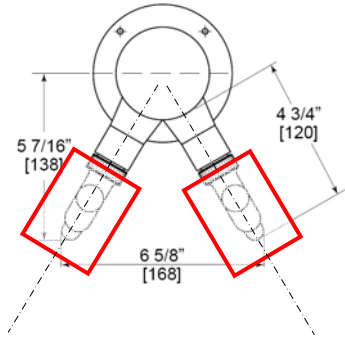
Tap2 Mounting Guidelines



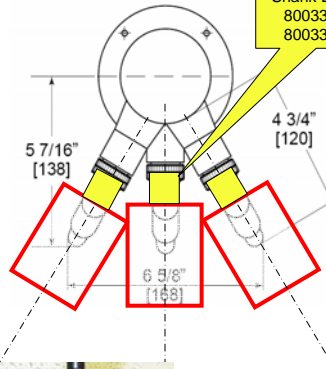
Tap2

Tap2 Mounting Guidelines

Perlick Tower Model 4016

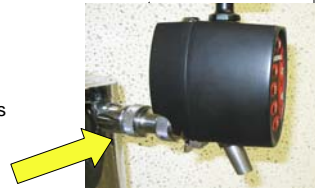


Perlick Tower Model 4026



Shank Extender

- Adds one inch
- It is not a replacement shank. It is a true extension beyond the already installed shank.
- All stainless steel construction.



Appendix - P3 Hub Startup Functions

- A new P3 Hub starts in "unaddressed" PC-Converter mode. LEDs 1-4 blink at the standard rate of once/second.
- The key switch and buttons are always active, even when the device is new (unaddressed).
- At power-up the LEDs sequentially light 1-7
- With NO setup, the device is fully functional as both a PC-Converter and as a Power Supply switch: OFF (turn CCW) = Disable Taps, ON (turn CW) = Pour With Release
- To put the Taps into the Service mode at the P3 Hub: press button 7 while turning the key switch (counter clockwise) from OFF to ON. See details for Service mode later in the manual.
- After the P3 Hub is addressed, it stays in PC-Converter mode until the key switch is turned, power is cycled, or the device is reset via the cancel switch. In PC-Converter mode, it can be used, along with BergTerminal, to set itself up for POS interface.
 - After the key switch is turned, power is cycled, or the device is reset by pressing and holding both the #5 and #7 buttons for 3 seconds, it can be switched into any of its settable modes: Disable Taps, Pour With Release, PC Converter Mode, Pour w/o Release, Print Pour Report or Service Mode.
 - To return to the PC-Converter mode: press button 1 while turning the key switch from OFF to ON.

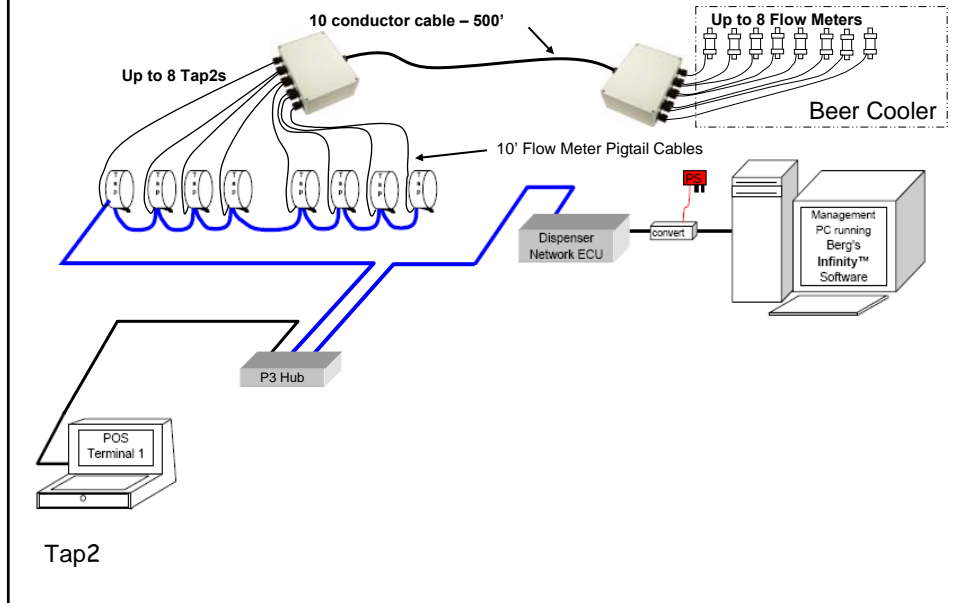
P3 Hub Settable Functions

- **DisableTaps:** Turn Key switch OFF (CCW); the LEDs in buttons 1-4 turn off
- **Standard - Pour With Release:** Turn Key switch ON (CW) – Re-enables the taps, all Tap LEDs are on and Interface is on – pour requests are passed to the POS terminal, responses (or lack thereof) are passed back. LED 3, flashes a standard once/sec. If there is no response from the POS buttons #3 and #7 flash rapidly.
- **PC Converter mode:** Turn Key switch OFF to ON while pressing **button 1** - all messages are passed through the Converter onto the Dispenser Network. Exit this mode and return to the POS mode by turning the key switch off and back on.
- **POS Bypass (Pour without Release):** Turn Key switch OFF to ON while pressing **button 2** – In this mode pour requests are passed to the POS terminal and responses from the POS terminal are ignored.
- **PRINT mode:** Turn the key switch OFF, then hold **button 4** while turning it ON. The button 4 LED will begin flashing at rate of once/second. If there are any taps assigned to the hub it will immediately begin printing the report for Number of Pours for each Tap. If there are no taps assigned (in Infinity only the ECU is assigned) buttons 4 and 7 (Cancel) will begin flashing rapidly. To exit, turn the key.
- **Service mode:** Turn Key switch OFF to ON while pressing **button 7** – While in this mode the POS Interface is OFF; pour requests sent to the Hub are ignored; critical messages get a Y response to satisfy the sender. LED 7 flashes a standard once/sec.
- There is a **built-in delay** in sending the OFF message when key switch is turned. This allows you to make mode changes (bypass, PC-Converter, Service) without disabling the rest of the network devices as an interim step.

P3 Hub LED Functions

- Switch Functions: (NOTE: LEDs 1-4 remain blinking on the P3 Hub until it receives an address.)
- 1. OFF (turn CCW) - Disables Taps, LEDs 1-4 off at the Taps. (and at the hub, after it receives an address.)
- 2. ON (turn CW) - Enables Taps, all LEDs at the Taps are on. (LED 3, flashes a standard once/sec. at the hub after it receives an address.)
- 3. Hold #7 + Turn Key Switch ON - Puts Taps into service mode. LED 7 flashes a standard once/sec. at the Tap, and at the hub after it receives an address.
- After being addressed:
- 4. Hold #1 + Turn ON - PC Converter Mode, LED 1 flashes a standard once/sec. at the hub, tap is OFF.
- 5. Hold #2 + Turn ON - POS Bypass, LED 2 Flashes a rapid 2/second at the hub, no change at the Tap.
- 6. Hold #4 + Turn ON - To access PRINT mode. The button 4 LED will begin flashing at the standard rate. If there are any taps assigned to the hub it will immediately begin printing the report for Number of Pours for each Tap. If there are no taps assigned (in Infinity only the ECU is assigned) buttons 4 and 7 (Cancel) will begin flashing rapidly. To exit, turn the key.

Best Wiring Option for connecting Flow Meters to Tap2s



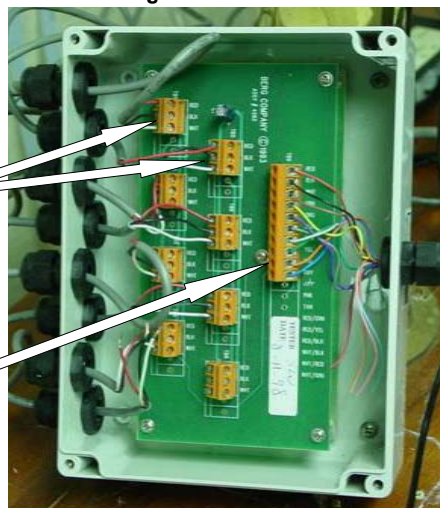
Flow Meter J-Box Connections

- The Flow Meter J-Box supports up to 8 Flow Meters or 8 Tap2s
- Use two boxes
 1. At the cooler
 2. Under the bar

One connector for each Flow Meter or Flow Meter Pigtail at the taps

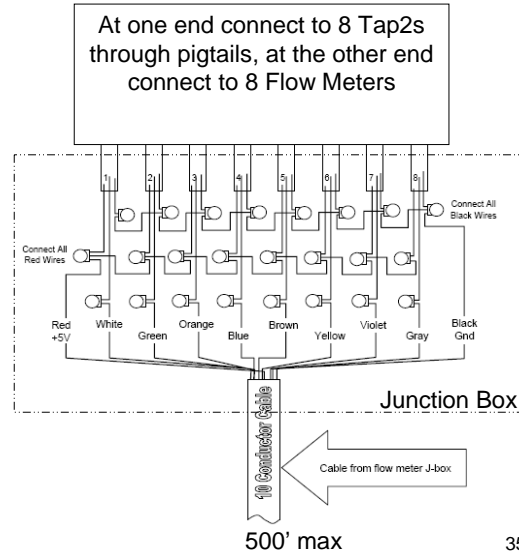
The 10 conductor cable is routed between the two J-Boxes.

Wiring is marked on the board



Low Cost Wiring Option for Tap2 with Flow Meters: Go Direct To Each Through 10 Conductor Cable And New Pigtail Cables

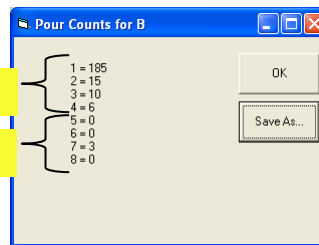
- This is the low cost, labor **intensive**, workmanship **critical** option for connecting flow meters to Tap2s.
- You must make 24 **GOOD** crimp connections for trouble free operation.
- The connections should be made inside of a box to protect the wires from damage.



Pour Counts Report – Berg Terminal

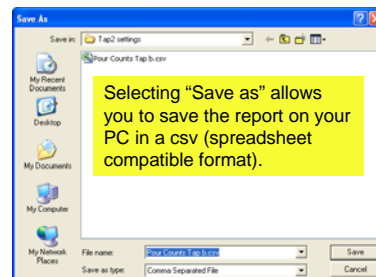
Standard sizes with #4 being Add-a-head

Alternate size portions with #8 being Add-a-head



To access the report through Berg Terminal. Go to the heading **Operations**; open the pull down menu and select **Read Number of Pours** to obtain the pour count results for each tap. If you want to save the data on a regular basis setup a file or spreadsheet where the data can be organized and analyzed.

The report can also be reset to zeros through Berg Terminal by selecting **Clear Number of Pours** from the pull down menu.



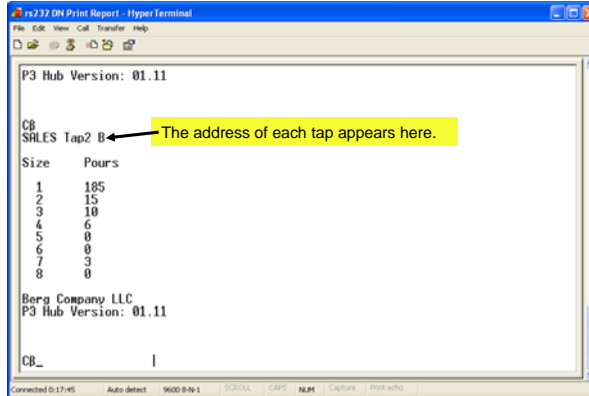
Pour Counts Report – Printer or PC

To print a report of all Tap2 Dispensers connected and assigned to the P3 Hub connect a serial printer to the DB9 RS232 connector on the Hub.

Set up the printer for 9600 baud, 8 bits, no parity, 1 stop bit, no hand shaking (no hardware control).

Press and hold button #4 while turning the key switch OFF and ON to send the report. The report will be sent each time this sequence is repeated.

You can also capture the report on your PC using Hyper Terminal or similar terminal program. The report can be imported into a spreadsheet where the data can be managed on an on-going basis.



```
HyperTerminal
File Edit View Call Transfer Help
P3 Hub Version: 01.11
CB
SRLES Tap2 B ← The address of each tap appears here.
Size Pours
1 185
2 15
3 10
4 6
5 0
6 0
7 3
8 0
Berg Company LLC
P3 Hub Version: 01.11
CB_ |
Connected 0:17:45 Auto detect 9600 8-N-1 SERIAL CAPS NUM Capture Print echo
```

Revisions to this Manual

- 10/29/09 Updated for Tap2s compatible for use in Infinity based Dispenser Network